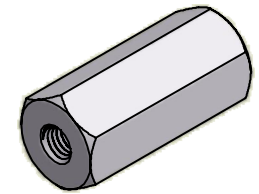
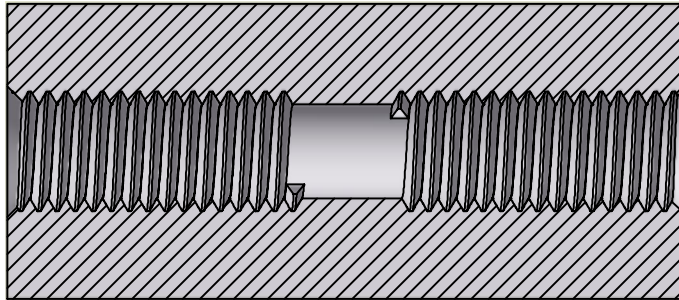
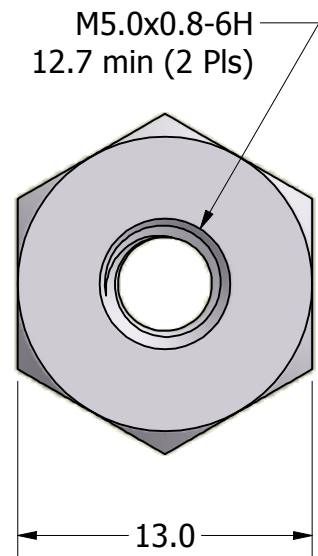
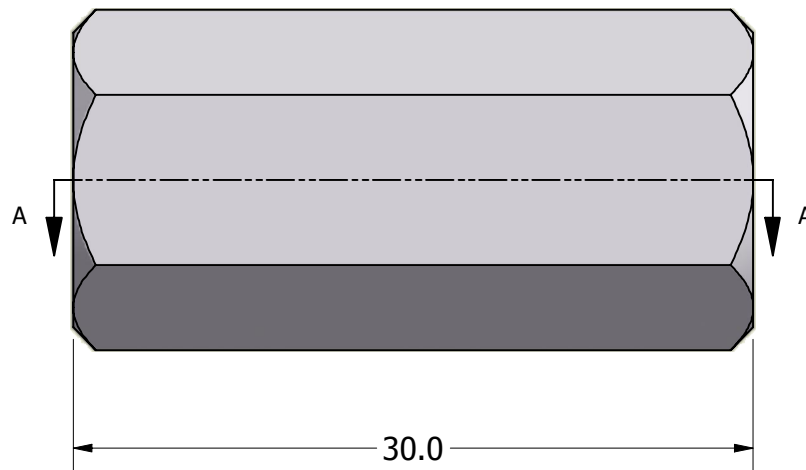


SECTION A-A



ISO SCALE 1 : 1



Tolerances Unless Otherwise Specified:		<b>LYN-TRON, INC.</b>	
.x Decimal:	± 0.3		
.xx Decimal:	± .13	Part Number:	
Fraction:	± 1/64	<b>AA5088-5080-30.0</b>	
Angle:	± 2°	Description:	
		<b>13mm Hex F/F Standoff</b>	
Drawn By:	Gauge:	Material:	Scale:
<b>COURTNEYS08/16/2012</b>		<b>Aluminum (RoHS)</b>	<b>3 : 1</b>