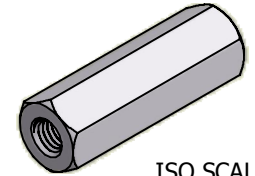
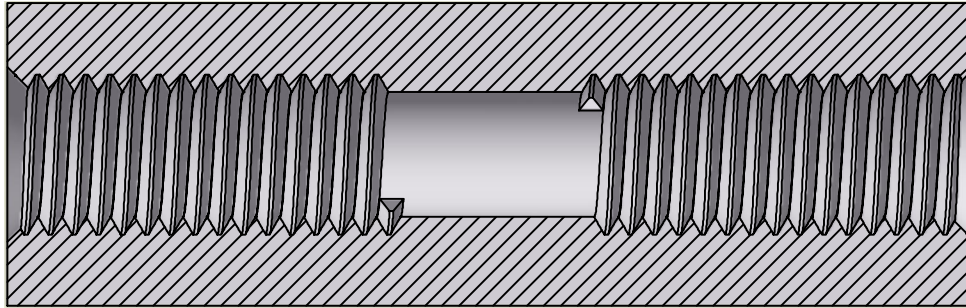
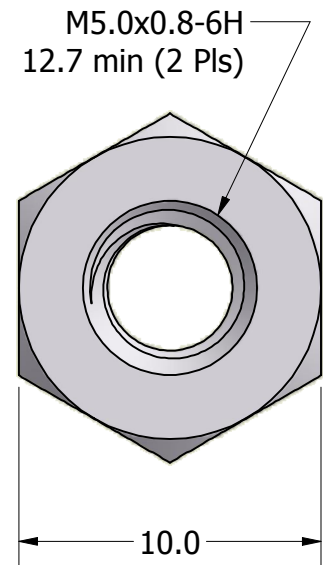
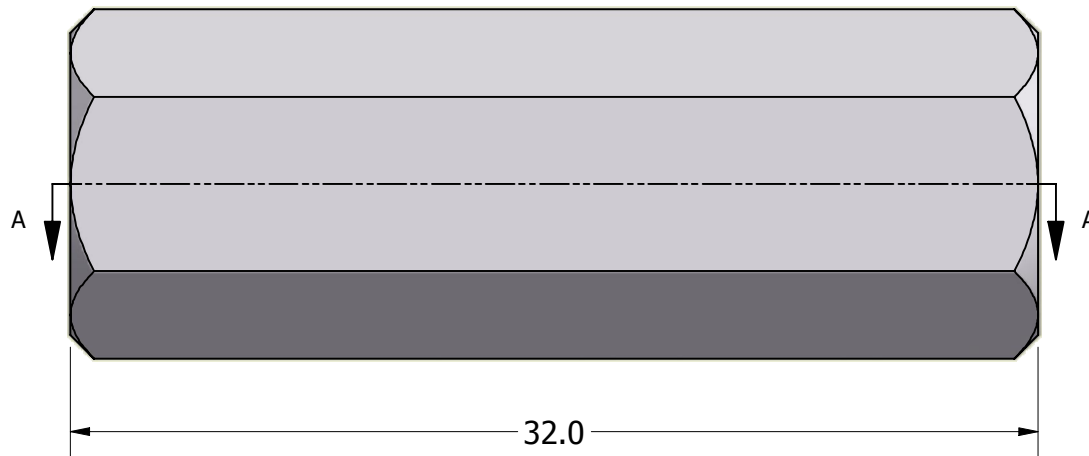


SECTION A-A



ISO SCALE 1 : 1



Tolerances Unless Otherwise Specified:

.x Decimal: ± 0.3  
 .xx Decimal: ± .13  
 Fraction: ± 1/64  
 Angle: ± 2°

**LYN-TRON, INC.**

Part Number:  
**AA5086-5080-32.0**

Description:  
**10mm Hex F/F Standoff**

Drawn By:  
**COURTNEYS08/14/2012**

Gauge:

Material:  
**Aluminum (RoHS)**

Scale:  
**4 : 1**