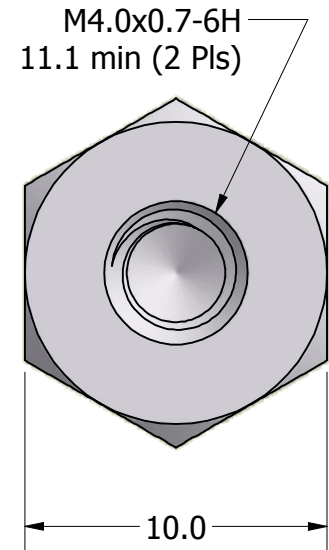
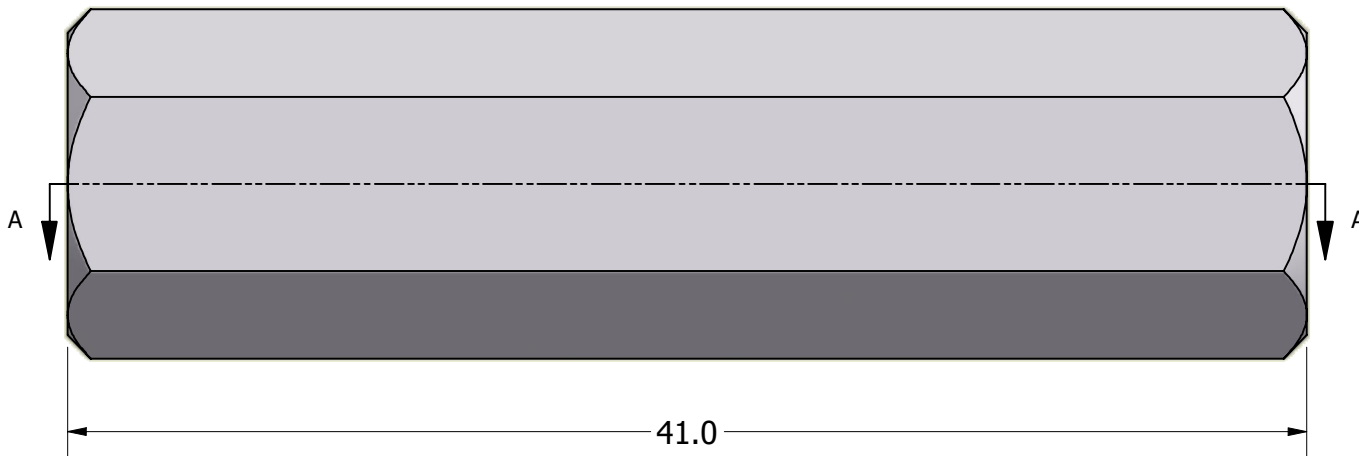
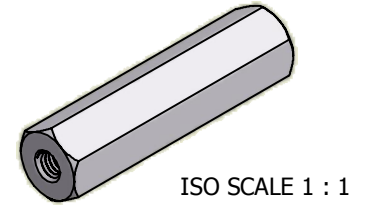
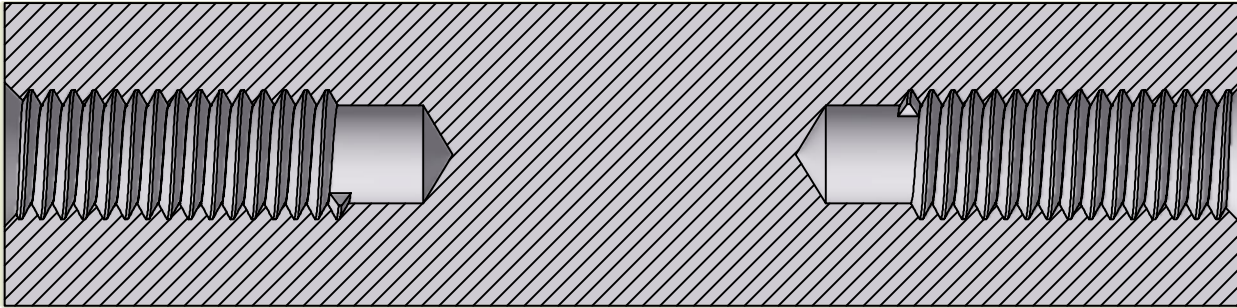


SECTION A-A



Tolerances Unless Otherwise Specified:

.x Decimal: ± 0.3
 .xx Decimal: $\pm .13$
 Fraction: $\pm 1/64$
 Angle: $\pm 2^\circ$

LYN-TRON, INC.

Part Number:
AA5086-4070-41.0

Description:
10mm Hex F/F Standoff

Drawn By:
COURTNEYS08/14/2012

Gauge:

Material:
Aluminum (RoHS)

Scale:
4 : 1