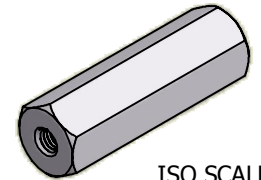
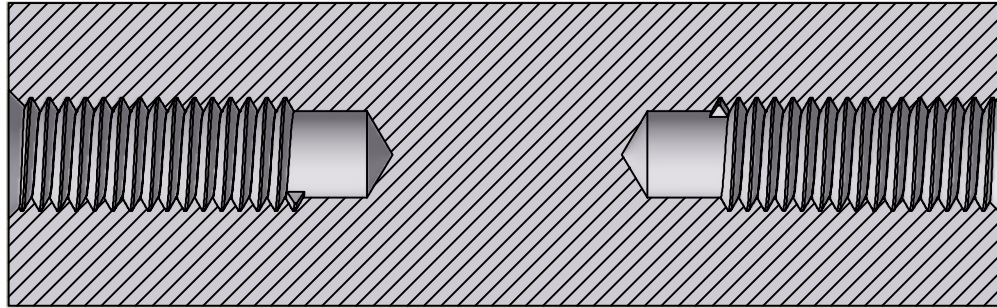
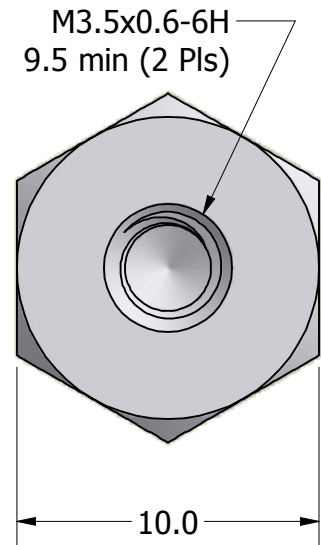
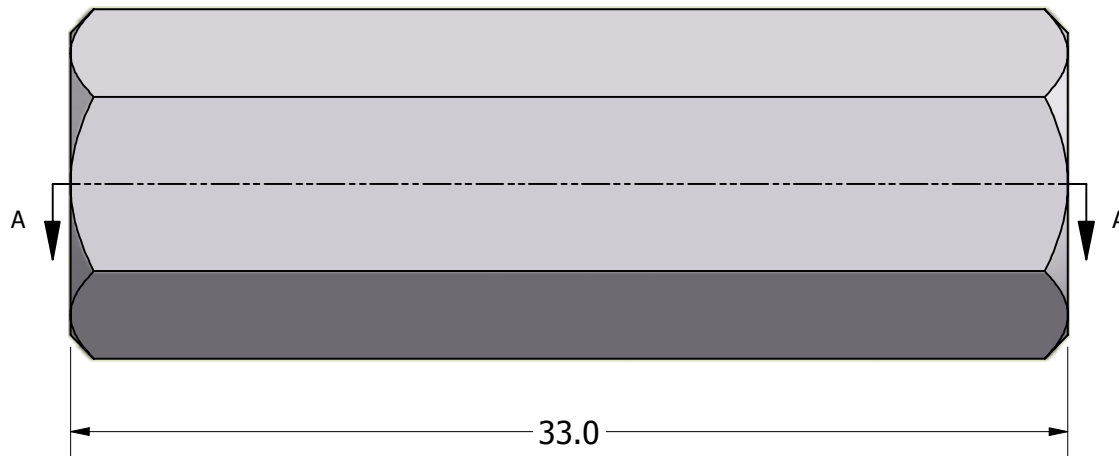


SECTION A-A



ISO SCALE 1 : 1



Tolerances Unless Otherwise Specified:

- .x Decimal:** ± 0.3
- .xx Decimal:** ± .13
- Fraction:** ± 1/64
- Angle:** ± 2°

LYN-TRON, INC.

Part Number:

AA5086-3560-33.0

Description:

10mm Hex F/F Standoff

Drawn By:

COURTNEYS08/14/2012

Gauge:

Material:

Aluminum (RoHS)

Scale:

4 : 1