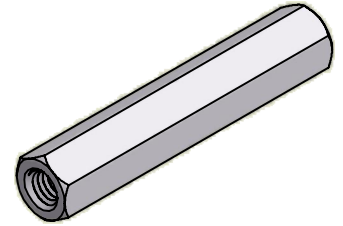
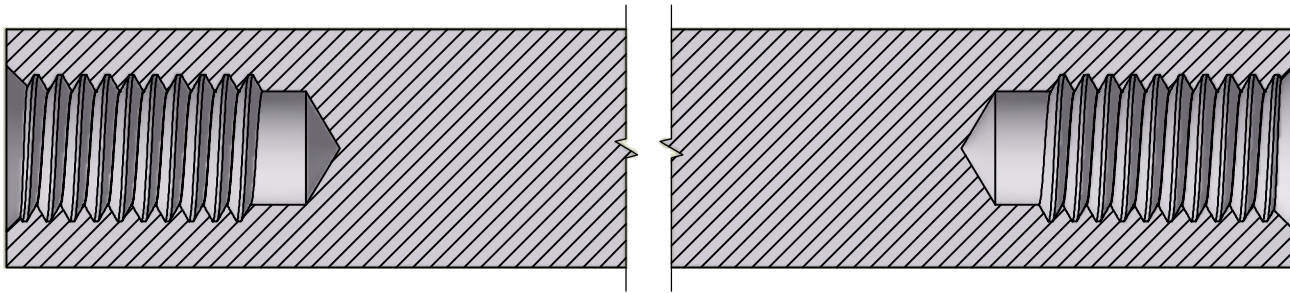
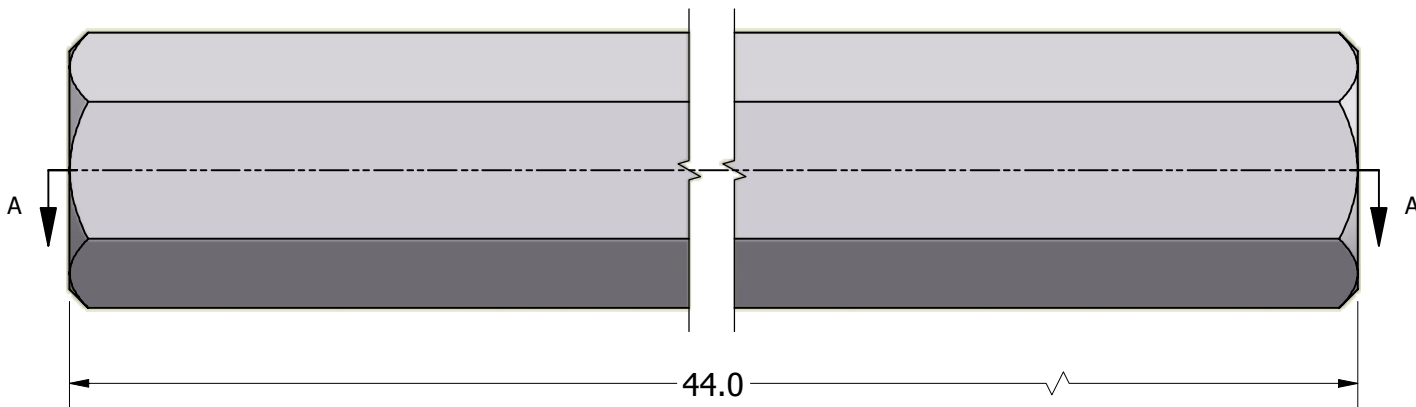
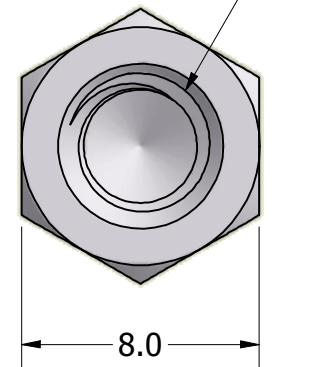


SECTION A-A



M3.0x0.5-6H
6.4 min (2 Pls)



Tolerances Unless Otherwise Specified:

.x Decimal: ± 0.3
.xx Decimal: ± .13
Fraction: ± 1/64
Angle: ± 2°

LYN-TRON, INC.

Part Number:
AA5085-3050-44.0

Description:
8mm Hex F/F Standoff

Drawn By:
COURTNEYS08/09/2012

Gauge:
Aluminum (RoHS)

Scale:
NTS