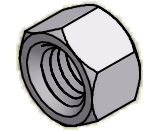
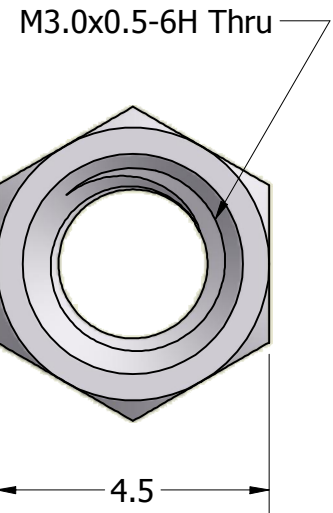
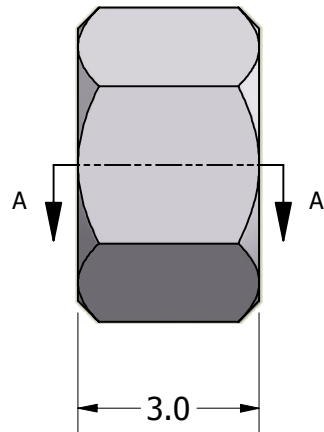


SECTION A-A



ISO SCALE 3 : 1



Tolerances Unless Otherwise Specified:

- .x Decimal:** ± 0.3
- .xx Decimal:** ± .13
- Fraction:** ± 1/64
- Angle:** ± 2°

**LYN-TRON, INC.**

Part Number:  
**AA5081-3050-03.0**

Description:  
**4.5mm Hex Standoff**

Drawn By:  
**COURTNEYS08/09/2012**

Gauge:  
**Aluminum (RoHS)**

Scale:  
**8 : 1**