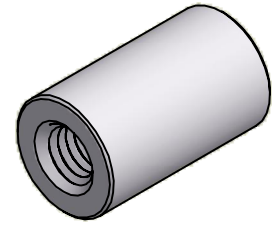
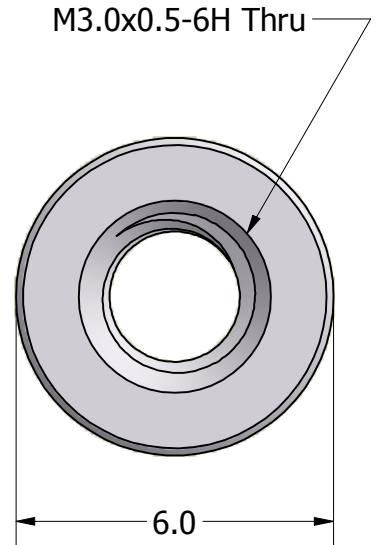
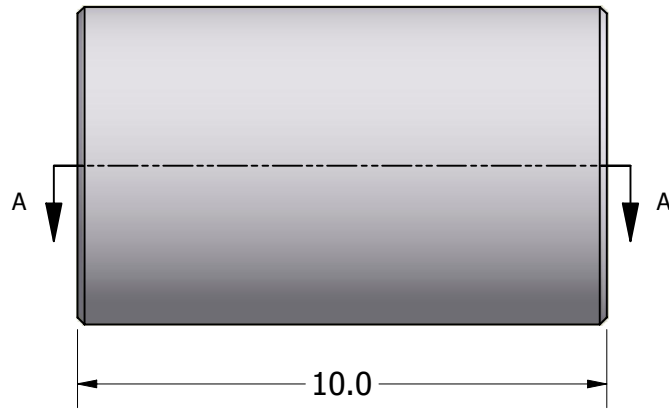


SECTION A-A



ISO SCALE 3 : 1



Tolerances Unless Otherwise Specified:

- .x Decimal:** ± 0.3
- .xx Decimal:** ± .13
- Fraction:** ± 1/64
- Angle:** ± 2°

LYN-TRON, INC.

Part Number:
AA5071-3050-10.0

Description:
6mm Rnd Standoff

Drawn By:
COURTNEYS02/25/2011

Gauge:
Aluminum (RoHS)

Scale:
7 : 1