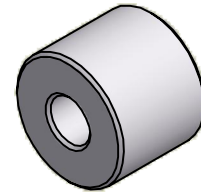
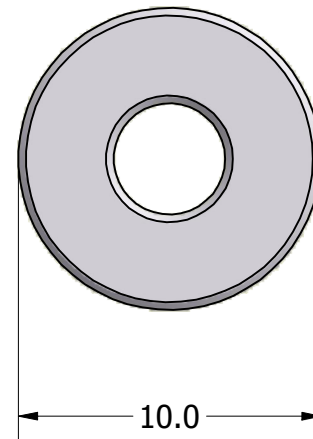
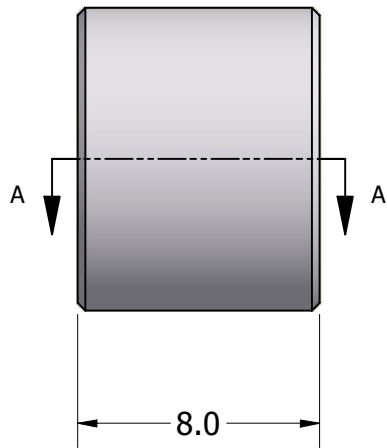


SECTION A-A



ISO SCALE 2 : 1



Tolerances Unless Otherwise Specified:

.x Decimal: ± 0.3  
 .xx Decimal: ± .13  
 Fraction: ± 1/64  
 Angle: ± 2°

**LYN-TRON, INC.**

Part Number:

**AA5008-35-08.0**

Description:

**10mm Rnd Spacer**

Drawn By:

**JEFFN**

**06/19/2010**

Gauge:

Material:

**Aluminum (RoHS)**

Scale:

**4 : 1**