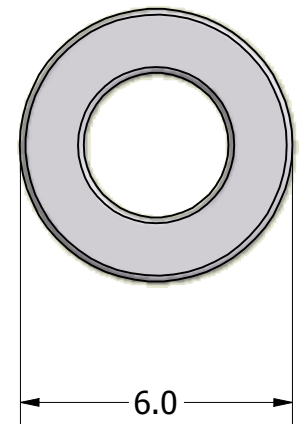
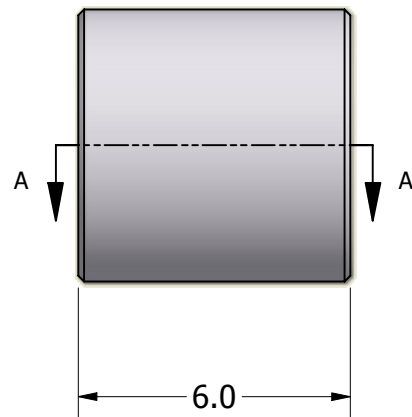


SECTION A-A



ISO SCALE 2 : 1



Tolerances Unless Otherwise Specified:

**.x Decimal:** ± 0.3  
**.xx Decimal:** ± .13  
**Fraction:** ± 1/64  
**Angle:** ± 2°

**LYN-TRON, INC.**

Part Number:

**AA5005-30-06.0**

Description:

**6mm Rnd Spacer**

Drawn By:

**JEFFN**

**06/19/2010**

Gauge:

Material:

**Aluminum (RoHS)**

Scale:

**6 : 1**