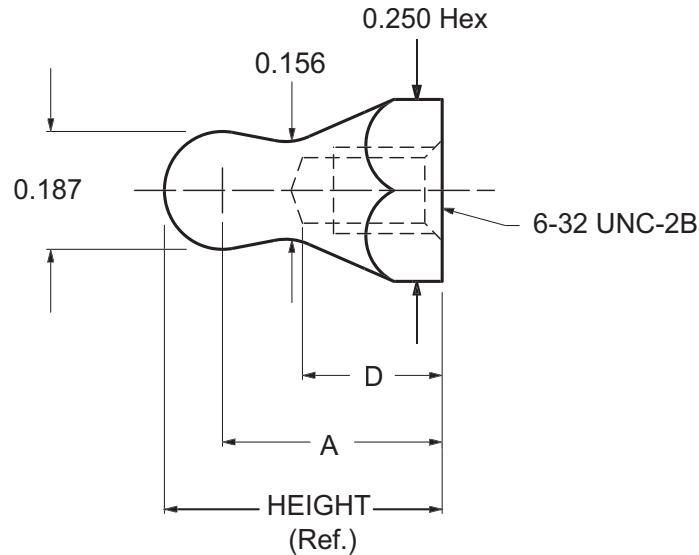




# BALL STUDS FEMALE THREAD



MATERIAL	CODE
*STEEL	ST

\*Additional Materials Available

ORDERING CODE	XX MATERIAL	B101 BASIC PART NUMBER	X.XXX HEIGHT CODE	XX FINISH
---------------	-------------	------------------------	-------------------	-----------

Basic Part Number	HEIGHT (Ref.)	A ±.005	D (Ref.)	THREAD DEPTH (Min.)	Panel Thickness
B101	0.421	0.328	0.185	0.115	0.025 to 0.051
B101	0.447	0.354	0.211	0.141	0.052 to 0.078
B101	0.473	0.380	0.237	0.167	0.079 to 0.105
B101	0.499	0.406	0.263	0.193	0.106 to 0.132
B101	0.525	0.432	0.289	0.219	0.133 to 0.160
B101	0.551	0.458	0.315	0.245	0.161 to 0.187
B101	0.577	0.484	0.341	0.271	0.188 to 0.214

CODE	FINISH
00	Plain — None
31	Cadmium QQ-P-416, CL 2 — Clear Chromate
32	Cadmium QQ-P-416, CL 2, Type II — Yellow Chromate
34	<b>Zinc ASTMB633, Type III, Fe/Zn8 - Clear Chromate (STANDARD)</b>
36	Zinc ASTMB633, Type II, Fe/Zn 8 — Yellow Chromate

\*Additional Finishes Available

**A90**

