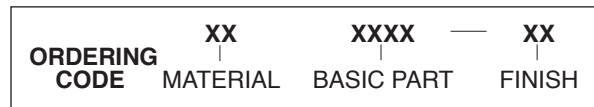
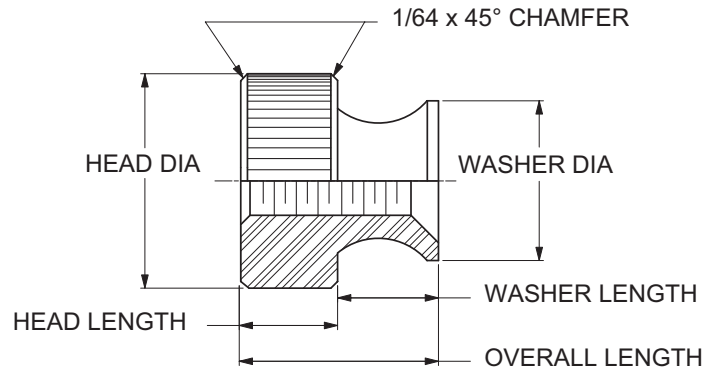




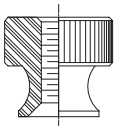
ROUND THUMB NUTS



CODE	FINISH
00	Plain — None
01	Passivate ASTM A967-05
61	Nickel QQ-N-290 CL 1, Type VI KC

MATERIAL	CODE
BRASS	BR
STAINLESS STEEL	SS
STEEL	ST

BASIC PART NUMBER	THREAD	HEAD DIA +0.020 -0.000	HEAD LENGTH ±0.015	OVERALL LENGTH (REF.)	WASHER LENGTH ±0.010	WASHER DIA ±0.031
7710	2-56	1/4	1/8	1/4	1/8	3/16
7711	4-40	5/16	1/8	1/4	1/8	1/4
7712	6-32	3/8	1/8	9/32	5/32	11/32
7713	8-32	7/16	1/8	9/32	5/32	3/8
7714	10-24	1/2	5/32	11/32	3/16	13/32
7715	10-32	1/2	5/32	11/32	3/16	13/32
7716	1/4-20	9/16	5/32	3/8	7/32	15/32
7717	5/16-18	5/8	3/16	13/32	7/32	17/32
7718	3/8-16	3/4	7/32	15/32	1/4	5/8



E46