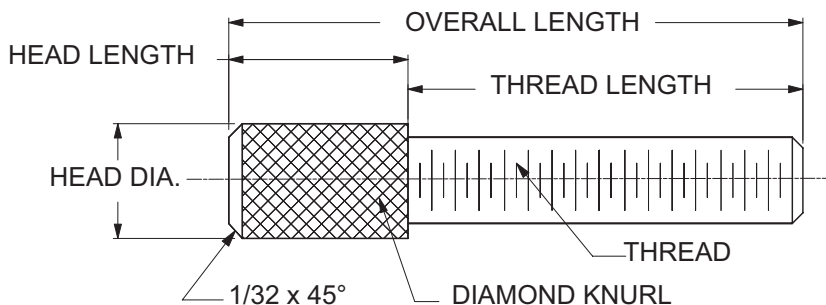




# PUSH TYPE THUMB SCREWS



**ORDERING CODE**    **XX**    **XXXX**    **XX**  
 MATERIAL    BASIC PART    FINISH

MATERIAL	CODE
BRASS	BR
STAINLESS STEEL	SS
STEEL	ST

CODE	FINISH
00	Plain — None
01	Passivate ASTM A967-05
61	Nickel QQ-N-290 CL 1, Type VI KC

BASIC PART NUMBER	THREAD	HEAD DIA +0.020 -0.000	HEAD LENGTH ±0.015	OVERALL LENGTH ±0.015	THREAD LENGTH ±0.010
7680	10-24	1/4	1/2	1-7/8	1-3/8
7681	10-24	1/4	1/2	2"	1-1/2
7682	10-24	1/4	1/2	2-1/8	1-5/8
7683	10-24	1/4	1/2	2-1/4	1-3/4
7684	10-24	1/4	1/2	2-3/8	1-7/8
7685	10-24	1/4	1/2	2-1/2	2"
7686	10-32	1/4	1/2	1-1/8	5/8
7687	10-32	1/4	1/2	1-1/4	3/4
7688	10-32	1/4	1/2	1-3/8	7/8
7689	10-32	1/4	1/2	1-1/2	1"
7690	10-32	1/4	1/2	1-5/8	1-1/8
7691	10-32	1/4	1/2	1-3/4	1-1/4
7692	10-32	1/4	1/2	1-7/8	1-3/8
7693	10-32	1/4	1/2	2"	1-1/2
7694	10-32	1/4	1/2	2-1/8	1-5/8
7695	10-32	1/4	1/2	2-1/4	1-3/4
7696	10-32	1/4	1/2	2-3/8	1-7/8
7697	10-32	1/4	1/2	2-1/2	2"
7698	1/4-20	5/16	1/2	1-1/8	5/8
7699	1/4-20	5/16	1/2	1-1/4	3/4
7700	1/4-20	5/16	1/2	1-3/8	7/8
7701	1/4-20	5/16	1/2	1-1/2	1"
7702	1/4-20	5/16	1/2	1-5/8	1-1/8
7703	1/4-20	5/16	1/2	1-3/4	1-1/4
7704	1/4-20	5/16	1/2	1-7/8	1-3/8
7705	1/4-20	5/16	1/2	2"	1-1/2
7706	1/4-20	5/16	1/2	2-1/8	1-5/8
7707	1/4-20	5/16	1/2	2-1/4	1-3/4
7708	1/4-20	5/16	1/2	2-3/8	1-7/8
7709	1/4-20	5/16	1/2	2-1/2	2"



**E45**