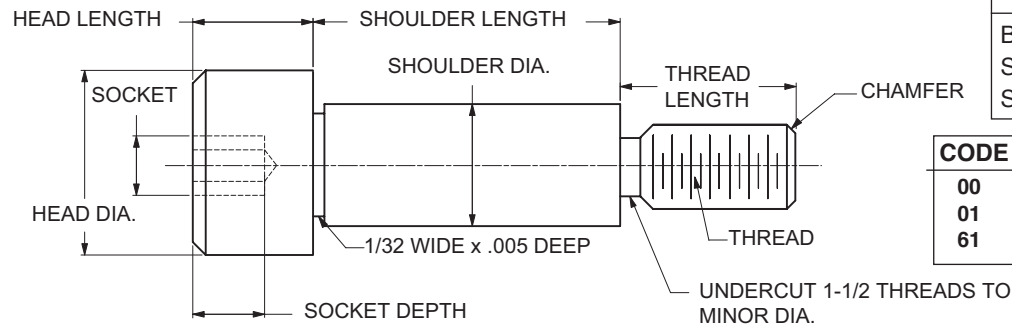




PRECISION SHOULDER SCREW SOCKET HEAD



MATERIAL	CODE
BRASS	BR
STAINLESS STEEL	SS
STEEL	ST

CODE	FINISH
00	Plain — None
01	Passivate ASTM A967-05
61	Nickel QQ-N-290 CL 1, Type VI KC

ORDERING CODE	XX	XXXX	XX
	MATERIAL	BASIC PART	FINISH

BASIC PART NUMBER	THREAD	HEAD DIAMETER ±0.004	SHOULDER DIAMETER +0.000 -0.001	HEAD LENGTH ±0.010	SHOULDER LENGTH +0.002 -0.000	THREAD LENGTH ±0.005	SOCKET +0.002 -0.000	SOCKET DEPTH (MIN.)
7401	4-40	1/4	.1245	1/8	.1250	5/32	5/64	1/16
7402	4-40	1/4	.1245	1/8	.1875	5/32	5/64	1/16
7403	4-40	1/4	.1245	1/8	.2500	5/32	5/64	1/16
7404	4-40	1/4	.1245	1/8	.3125	5/32	5/64	1/16
7405	4-40	1/4	.1245	1/8	.3750	5/32	5/64	1/16
7406	4-40	1/4	.1245	1/8	.4375	5/32	5/64	1/16
7407	4-40	1/4	.1245	1/8	.500	5/32	5/64	1/16
7408	6-32	9/32	.1560	1/8	.1250	3/16	3/32	5/64
7409	6-32	9/32	.1560	1/8	.1875	3/16	3/32	5/64
7410	6-32	9/32	.1560	1/8	.2500	3/16	3/32	5/64
7411	6-32	9/32	.1560	1/8	.3125	3/16	3/32	5/64
7412	6-32	9/32	.1560	1/8	.3750	3/16	3/32	5/64
7413	6-32	9/32	.1560	1/8	.4375	3/16	3/32	5/64
7414	6-32	9/32	.1560	1/8	.500	3/16	3/32	5/64
7415	6-32	9/32	.1560	1/8	.5625	3/16	3/32	5/64
7416	6-32	9/32	.1560	1/8	.6250	3/16	3/32	5/64
7417	6-32	9/32	.1560	1/8	.6875	3/16	3/32	5/64
7418	6-32	9/32	.1560	1/8	.7500	3/16	3/32	5/64
7419	8-32	5/16	.1870	5/32	.125	3/16	3/32	5/64
7420	8-32	5/16	.1870	5/32	.1875	3/16	3/32	5/64
7421	8-32	5/16	.1870	5/32	.2500	3/16	3/32	5/64
7422	8-32	5/16	.1870	5/32	.3125	3/16	3/32	5/64
7423	8-32	5/16	.1870	5/32	.3750	3/16	3/32	5/64
7424	8-32	5/16	.1870	5/32	.4375	3/16	3/32	5/64
7425	8-32	5/16	.1870	5/32	.5000	3/16	3/32	5/64
7426	8-32	5/16	.1870	5/32	.5625	3/16	3/32	5/64
7427	8-32	5/16	.1870	5/32	.6250	3/16	3/32	5/64
7428	8-32	5/16	.1870	5/32	.6875	3/16	3/32	5/64
7429	8-32	5/16	.1870	5/32	.7500	3/16	3/32	5/64
7430	8-32	5/16	.1870	5/32	.8750	3/16	3/32	5/64
7431	8-32	5/16	.1870	5/32	1.000	3/16	3/32	5/64
7432	8-32	5/16	.1870	5/32	1.250	3/16	3/32	5/64
7433	8-32	5/16	.1870	5/32	1.375	3/16	3/32	5/64
7434	8-32	5/16	.1870	5/32	1.500	3/16	3/32	5/64



E37



PRECISION SHOULDER SCREW SOCKET HEAD

BASIC PART NUMBER	THREAD	HEAD DIAMETER ±0.004	SHOULDER DIAMETER +0.000 -0.001	HEAD LENGTH ±0.010	SHOULDER LENGTH +0.002 -0.000	THREAD LENGTH ±0.005	SOCKET +0.002 -0.000	SOCKET DEPTH (MIN.)
7435	10-32	3/8	.2495	3/16	.1250	1/4	1/8	3/32
7436	10-32	3/8	.2495	3/16	.1875	1/4	1/8	3/32
7437	10-32	3/8	.2495	3/16	.2500	1/4	1/8	3/32
7438	10-32	3/8	.2495	3/16	.3125	1/4	1/8	3/32
7439	10-32	3/8	.2495	3/16	.3750	1/4	1/8	3/32
7440	10-32	3/8	.2495	3/16	.4375	1/4	1/8	3/32
7441	10-32	3/8	.2495	3/16	.5000	1/4	1/8	3/32
7442	10-32	3/8	.2495	3/16	.5625	1/4	1/8	3/32
7443	10-32	3/8	.2495	3/16	.6250	1/4	1/8	3/32
7444	10-32	3/8	.2495	3/16	.6875	1/4	1/8	3/32
7445	10-32	3/8	.2495	3/16	.7500	1/4	1/8	3/32
7446	10-32	3/8	.2495	3/16	.8750	1/4	1/8	3/32
7447	10-32	3/8	.2495	3/16	1.000	1/4	1/8	3/32
7448	10-32	3/8	.2495	3/16	1.250	1/4	1/8	3/32
7449	10-32	3/8	.2495	3/16	1.375	1/4	1/8	3/32
7450	10-32	3/8	.2495	3/16	1.500	1/4	1/8	3/32
7451	1/4-20	7/16	.3120	7/32	.250	3/8	5/32	1/8
7452	1/4-20	7/16	.3120	7/32	.3125	3/8	5/32	1/8
7453	1/4-20	7/16	.3120	7/32	.3750	3/8	5/32	1/8
7454	1/4-20	7/16	.3120	7/32	.5000	3/8	5/32	1/8
7455	1/4-20	7/16	.3120	7/32	.6250	3/8	5/32	1/8
7456	1/4-20	7/16	.3120	7/32	.7500	3/8	5/32	1/8
7457	1/4-20	7/16	.3120	7/32	.8750	3/8	5/32	1/8
7458	1/4-20	7/16	.3120	7/32	1.000	3/8	5/32	1/8
7459	1/4-20	1/2	.3745	7/32	.2500	3/8	5/32	1/8
7460	1/4-20	1/2	.3745	7/32	.3125	3/8	5/32	1/8
7461	1/4-20	1/2	.3745	7/32	.3750	3/8	5/32	1/8
7462	1/4-20	1/2	.3745	7/32	.5000	3/8	5/32	1/8
7463	1/4-20	1/2	.3745	7/32	.6250	3/8	5/32	1/8
7464	1/4-20	1/2	.3745	7/32	.7500	3/8	5/32	1/8
7465	1/4-20	1/2	.3745	7/32	.8750	3/8	5/32	1/8
7466	1/4-20	1/2	.3745	7/32	1.000	3/8	5/32	1/8
7467	5/16-18	1/2	.3745	7/32	.2500	7/16	3/16	5/32
7468	5/16-18	1/2	.3745	7/32	.3125	7/16	3/16	5/32
7469	5/16-18	1/2	.3745	7/32	.3750	7/16	3/16	5/32
7470	5/16-18	1/2	.3745	7/32	.5000	7/16	3/16	5/32
7471	5/16-18	1/2	.3745	7/32	.6250	7/16	3/16	5/32
7472	5/16-18	1/2	.3745	7/32	.7500	7/16	3/16	5/32
7473	5/16-18	1/2	.3745	7/32	.8750	7/16	3/16	5/32
7474	5/16-18	1/2	.3745	7/32	1.000	7/16	3/16	5/32
7475	3/8-16	5/8	.4995	1/4	.2550	1/2	1/4	3/16
7476	3/8-16	5/8	.4995	1/4	.3125	1/2	1/4	3/16
7477	3/8-16	5/8	.4995	1/4	.3750	1/2	1/4	3/16
7478	3/8-16	5/8	.4995	1/4	.5000	1/2	1/4	3/16
7479	3/8-16	5/8	.4995	1/4	.6250	1/2	1/4	3/16
7480	3/8-16	5/8	.4995	1/4	.7500	1/2	1/4	3/16
7481	3/8-16	5/8	.4995	1/4	.8750	1/2	1/4	3/16
7482	3/8-16	5/8	.4995	1/4	1.000	1/2	1/4	3/16



E38

