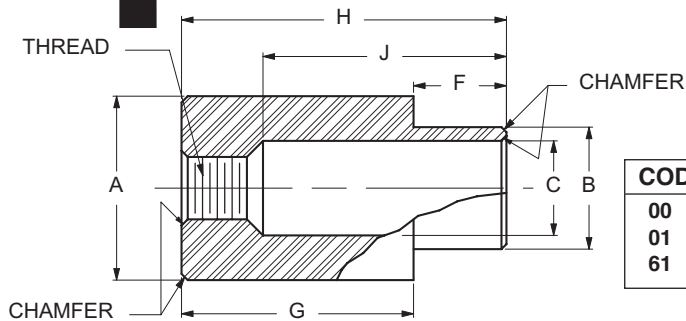


PANEL SCREW RETAINER TYPE F



ORDERING CODE: XX (MATERIAL), XXXX-XXX (BASIC PART NUMBER), XX (FINISH)

CODE	FINISH
00	Plain — None
01	Passivate ASTM A967-05
61	Nickel QQ-N-290 CL 1, Type VI KC

MATERIAL	CODE
BRASS	BR
STAINLESS STEEL	SS
STEEL	ST

BASIC PART NUMBER	THREAD	PANEL THICKNESS	A ±0.004	B +0.000 -0.003	C +0.004 -0.001	F ±0.005	G ±0.005	H ±0.010	J ±0.005
R041-062	4-40	.052-.067	1/4	.188	.150	.062	.188	1/4	.161
R041-093	4-40	.084-.099	1/4	.188	.150	.093	.156	1/4	.161
R041-125	4-40	.109-.140	1/4	.188	.150	.125	.125	1/4	.161
R042-062	6-32	.052-.067	1/4	.188	.150	.062	.250	5/16	.210
R042-093	6-32	.084-.099	1/4	.188	.150	.093	.218	5/16	.210
R042-125	6-32	.109-.140	1/4	.188	.150	.125	.187	5/16	.210
R042-187	6-32	.171-.203	1/4	.188	.150	.187	.125	5/16	.210
R043-062	8-32	.052-.067	3/8	.218	.188	.062	.250	5/16	.210
R043-093	8-32	.084-.099	3/8	.218	.188	.093	.218	5/16	.210
R043-125	8-32	.109-.140	3/8	.218	.188	.125	.187	5/16	.210
R043-187	8-32	.171-.203	3/8	.218	.188	.187	.125	5/16	.210
R044-062	10-24	.052-.067	3/8	.270	.228	.062	.312	3/8	.236
R044-093	10-24	.084-.099	3/8	.270	.228	.093	.281	3/8	.236
R044-125	10-24	.109-.140	3/8	.270	.228	.125	.250	3/8	.236
R044-187	10-24	.171-.203	3/8	.270	.228	.187	.188	3/8	.236
R044-250	10-24	.234-.265	3/8	.270	.228	.250	.125	3/8	.236
R045-062	10-32	.052-.067	3/8	.270	.228	.062	.312	3/8	.236
R045-093	10-32	.084-.099	3/8	.270	.228	.093	.281	3/8	.236
R045-125	10-32	.109-.140	3/8	.270	.228	.125	.250	3/8	.236
R045-187	10-32	.171-.203	3/8	.270	.228	.187	.188	3/8	.236
R045-250	10-32	.234-.265	3/8	.270	.228	.250	.125	3/8	.236
R046-062	12-24	.052-.067	3/8	.270	.228	.062	.312	3/8	.239
R046-093	12-24	.084-.099	3/8	.270	.228	.093	.281	3/8	.239
R046-125	12-24	.109-.140	3/8	.270	.228	.125	.250	3/8	.239
R046-187	12-24	.171-.203	3/8	.270	.228	.187	.188	3/8	.239
R046-250	12-24	.234-.265	3/8	.270	.228	.250	.125	3/8	.239
R047-062	1/4-20	.052-.067	1/2	.356	.295	.062	.375	7/16	.295
R047-093	1/4-20	.084-.099	1/2	.356	.295	.093	.343	7/16	.295
R047-125	1/4-20	.109-.140	1/2	.356	.295	.125	.312	7/16	.295
R047-187	1/4-20	.171-.203	1/2	.356	.295	.187	.250	7/16	.295
R047-250	1/4-20	.234-.265	1/2	.356	.295	.250	.187	7/16	.295
R048-062	1/4-28	.052-.067	1/2	.356	.295	.062	.375	7/16	.295
R048-093	1/4-28	.084-.099	1/2	.356	.295	.093	.343	7/16	.295
R048-125	1/4-28	.109-.140	1/2	.356	.295	.125	.312	7/16	.295
R048-187	1/4-28	.171-.203	1/2	.356	.295	.187	.250	7/16	.295
R048-250	1/4-28	.234-.265	1/2	.356	.295	.250	.187	7/16	.295
R049-062	5/16-24	.052-.067	1/2	.404	.343	.062	.375	7/16	.297
R049-093	5/16-24	.084-.099	1/2	.404	.343	.093	.343	7/16	.297
R049-125	5/16-24	.109-.140	1/2	.404	.343	.125	.312	7/16	.297
R049-187	5/16-24	.171-.203	1/2	.404	.343	.187	.250	7/16	.297
R049-250	5/16-24	.234-.265	1/2	.404	.343	.250	.187	7/16	.297



E34