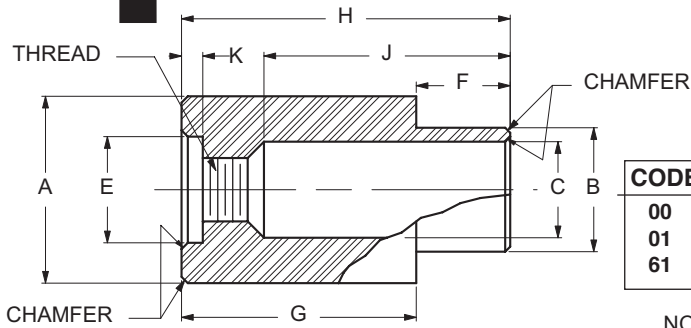


# PANEL SCREW RETAINER TYPE D



ORDERING CODE    XX    XXXX-XXX    XX  
 MATERIAL    BASIC PART NUMBER    FINISH

CODE	FINISH
00	Plain — None
01	Passivate ASTM A967-05
61	Nickel QQ-N-290 CL 1, Type VI KC

MATERIAL	CODE
BRASS	BR
STAINLESS STEEL	SS
STEEL	ST

NOTE: Retainer Ring and Retainer Spring NOT included: See Page E36

BASIC PART NUMBER	THREAD	PANEL THICKNESS	A ±0.004	B +0.000 -0.003	C +0.004 -0.001	E +0.005 -0.000	F ±0.005	G ±0.005	H ±0.010	J ±0.005	K +0.010 -0.000
R025-062	4-40	.052-.067	9/32	.250	.210	.192	.062	.375	7/16	.263	.078
R025-093	4-40	.084-.099	9/32	.250	.210	.192	.093	.344	7/16	.263	.078
R025-125	4-40	.109-.140	9/32	.250	.210	.192	.125	.312	7/16	.263	.078
R025-187	4-40	.171-.203	9/32	.250	.210	.192	.187	.250	7/16	.263	.078
R025-250	4-40	.234-.265	9/32	.250	.210	.192	.250	.187	7/16	.263	.078
R026-062	6-32	.052-.067	9/32	.250	.210	.192	.062	.375	7/16	.266	.078
R026-093	6-32	.084-.099	9/32	.250	.210	.192	.093	.344	7/16	.266	.078
R026-125	6-32	.109-.140	9/32	.250	.210	.192	.125	.312	7/16	.266	.078
R026-187	6-32	.171-.203	9/32	.250	.210	.192	.187	.250	7/16	.266	.078
R026-250	6-32	.234-.265	9/32	.250	.210	.192	.250	.187	7/16	.266	.078
R027-062	8-32	.052-.067	17/32	.433	.386	.312	.062	.562	5/8	.388	.093
R027-093	8-32	.084-.099	17/32	.433	.386	.312	.093	.532	5/8	.388	.093
R027-125	8-32	.109-.140	17/32	.433	.386	.312	.125	.500	5/8	.388	.093
R027-187	8-32	.171-.203	17/32	.433	.386	.312	.187	.437	5/8	.388	.093
R027-250	8-32	.234-.265	17/32	.433	.386	.312	.250	.375	5/8	.388	.093
R028-062	10-24	.052-.067	17/32	.433	.386	.312	.062	.562	5/8	.393	.093
R028-093	10-24	.084-.099	17/32	.433	.386	.312	.093	.532	5/8	.393	.093
R028-125	10-24	.109-.140	17/32	.433	.386	.312	.125	.500	5/8	.393	.093
R028-187	10-24	.171-.203	17/32	.433	.386	.312	.187	.437	5/8	.393	.093
R028-250	10-24	.234-.265	17/32	.433	.386	.312	.250	.375	5/8	.393	.093
R029-062	10-32	.052-.067	17/32	.433	.386	.312	.062	.562	5/8	.393	.093
R029-093	10-32	.084-.099	17/32	.433	.386	.312	.093	.532	5/8	.393	.093
R029-125	10-32	.109-.140	17/32	.433	.386	.312	.125	.500	5/8	.393	.093
R029-187	10-32	.171-.203	17/32	.433	.386	.312	.187	.437	5/8	.393	.093
R029-250	10-32	.234-.265	17/32	.433	.386	.312	.250	.375	5/8	.393	.093
R030-062	12-24	.052-.067	17/32	.433	.386	.312	.062	.562	5/8	.397	.093
R030-093	12-24	.084-.099	17/32	.433	.386	.312	.093	.532	5/8	.397	.093
R030-125	12-24	.109-.140	17/32	.433	.386	.312	.125	.500	5/8	.397	.093
R030-187	12-24	.171-.203	17/32	.433	.386	.312	.187	.437	5/8	.397	.093
R030-250	12-24	.234-.265	17/32	.433	.386	.312	.250	.375	5/8	.397	.093
R031-062	1/4-20	.052-.067	17/32	.433	.386	.312	.062	.562	5/8	.405	.093
R031-093	1/4-20	.084-.099	17/32	.433	.386	.312	.093	.532	5/8	.405	.093
R031-125	1/4-20	.109-.140	17/32	.433	.386	.312	.125	.500	5/8	.405	.093
R031-187	1/4-20	.171-.203	17/32	.433	.386	.312	.187	.437	5/8	.405	.093
R031-250	1/4-20	.234-.265	17/32	.433	.386	.312	.250	.375	5/8	.405	.093
R032-062	1/4-28	.052-.067	17/32	.433	.386	.312	.062	.562	5/8	.405	.093
R032-093	1/4-28	.084-.099	17/32	.433	.386	.312	.093	.532	5/8	.405	.093
R032-125	1/4-28	.109-.140	17/32	.433	.386	.312	.125	.500	5/8	.405	.093
R032-187	1/4-28	.171-.203	17/32	.433	.386	.312	.187	.437	5/8	.405	.093
R032-250	1/4-28	.234-.265	17/32	.433	.386	.312	.250	.375	5/8	.405	.093

