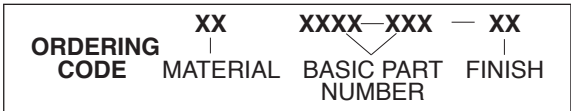
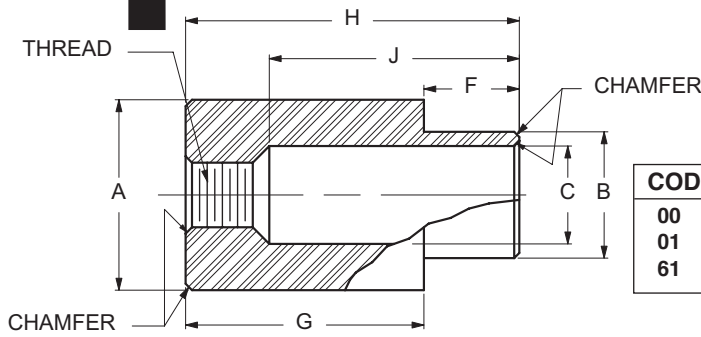


PANEL SCREW RETAINER TYPE B



CODE	FINISH
00	Plain — None
01	Passivate ASTM A967-05
61	Nickel QQ-N-290 CL 1, Type VI KC

MATERIAL	CODE
BRASS	BR
STAINLESS STEEL	SS
STEEL	ST

BASIC PART NUMBER	THREAD	PANEL THICKNESS	A ±0.004	B +0.000 -0.003	C +0.004 -0.001	F ±0.005	G ±0.005	H ±0.010	J ±0.005
R009-062	4-40	.052-.067	9/32	.250	.210	.062	.312	3/8	.263
R009-093	4-40	.084-.099	9/32	.250	.210	.093	.281	3/8	.263
R009-125	4-40	.109-.140	9/32	.250	.210	.125	.250	3/8	.263
R009-187	4-40	.171-.203	9/32	.250	.210	.187	.187	3/8	.263
R010-062	6-32	.052-.067	9/32	.250	.210	.062	.312	3/8	.265
R010-093	6-32	.084-.099	9/32	.250	.210	.093	.281	3/8	.265
R010-125	6-32	.109-.140	9/32	.250	.210	.125	.250	3/8	.265
R010-187	6-32	.171-.203	9/32	.250	.210	.187	.187	3/8	.265
R010-250	6-32	.234-.265	9/32	.250	.210	.250	.125	3/8	.265
R011-062	8-32	.052-.067	17/32	.433	.386	.062	.500	9/16	.388
R011-093	8-32	.084-.099	17/32	.433	.386	.093	.468	9/16	.388
R011-125	8-32	.109-.140	17/32	.433	.386	.125	.437	9/16	.388
R011-187	8-32	.171-.203	17/32	.433	.386	.187	.375	9/16	.388
R011-250	8-32	.234-.265	17/32	.433	.386	.250	.312	9/16	.388
R012-062	10-24	.052-.067	17/32	.433	.386	.062	.500	9/16	.395
R012-093	10-24	.084-.099	17/32	.433	.386	.093	.468	9/16	.395
R012-125	10-24	.109-.140	17/32	.433	.386	.125	.437	9/16	.395
R012-187	10-24	.171-.203	17/32	.433	.386	.187	.375	9/16	.395
R012-250	10-24	.234-.265	17/32	.433	.386	.250	.312	9/16	.395
R013-062	10-32	.052-.067	17/32	.433	.386	.062	.500	9/16	.395
R013-093	10-32	.084-.099	17/32	.433	.386	.093	.468	9/16	.395
R013-125	10-32	.109-.140	17/32	.433	.386	.125	.437	9/16	.395
R013-187	10-32	.171-.203	17/32	.433	.386	.187	.375	9/16	.395
R013-250	10-32	.234-.265	17/32	.433	.386	.250	.312	9/16	.395
R014-062	12-24	.052-.067	17/32	.433	.386	.062	.500	9/16	.396
R014-093	12-24	.084-.099	17/32	.433	.386	.093	.468	9/16	.396
R014-125	12-24	.109-.140	17/32	.433	.386	.125	.437	9/16	.396
R014-187	12-24	.171-.203	17/32	.433	.386	.187	.375	9/16	.396
R014-250	12-24	.234-.265	17/32	.433	.386	.250	.312	9/16	.396
R015-062	1/4-20	.052-.067	17/32	.433	.386	.062	.500	9/16	.403
R015-093	1/4-20	.084-.099	17/32	.433	.386	.093	.468	9/16	.403
R015-125	1/4-20	.109-.140	17/32	.433	.386	.125	.437	9/16	.403
R015-187	1/4-20	.171-.203	17/32	.433	.386	.187	.375	9/16	.403
R015-250	1/4-20	.234-.265	17/32	.433	.386	.250	.312	9/16	.403
R016-062	1/4-28	.052-.067	17/32	.433	.386	.062	.500	9/16	.403
R016-093	1/4-28	.084-.099	17/32	.433	.386	.093	.468	9/16	.403
R016-125	1/4-28	.109-.140	17/32	.433	.386	.125	.437	9/16	.403
R016-187	1/4-28	.171-.203	17/32	.433	.386	.187	.375	9/16	.403
R016-250	1/4-28	.234-.265	17/32	.433	.386	.250	.312	9/16	.403

