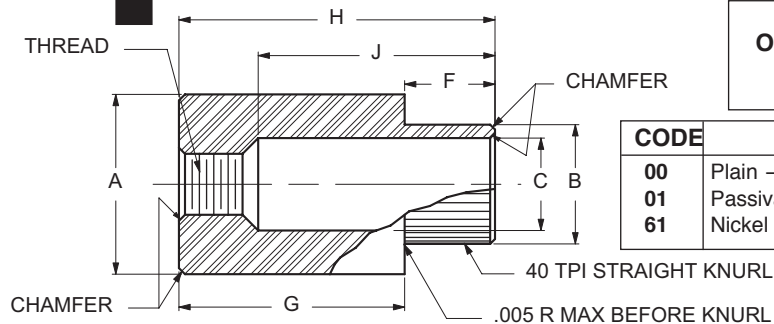


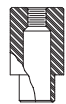
# PANEL SCREW RETAINER TYPE A



ORDERING CODE    XX    XXXX-XXX    XX  
 MATERIAL    BASIC PART NUMBER    FINISH

CODE	FINISH	MATERIAL	CODE
00	Plain — None	BRASS	BR
01	Passivate ASTM A967-05	STAINLESS STEEL	SS
61	Nickel QQ-N-290 CL 1, Type VI KC	STEEL	ST

BASIC PART NUMBER	THREAD	PANEL THICKNESS	A ±0.004	B ±0.002	C +0.004 -0.001	F ±0.005	G ±0.005	H ±0.010	J ±0.005
R000-050	4-40	.048-.072	1/4	.198	.150	.050	.200	1/4	.164
R000-080	4-40	.074-.109	1/4	.198	.150	.080	.170	1/4	.164
R000-125	4-40	.119-.156	1/4	.198	.150	.125	.125	1/4	.164
R001-050	6-32	.048-.072	1/4	.198	.150	.050	.262	5/16	.210
R001-080	6-32	.074-.109	1/4	.198	.150	.080	.232	5/16	.210
R001-125	6-32	.119-.156	1/4	.198	.150	.125	.187	5/16	.210
R001-188	6-32	.188	1/4	.198	.150	.188	.124	5/16	.210
R002-050	8-32	.048-.072	5/16	.228	.188	.050	.262	5/16	.208
R002-080	8-32	.074-.109	5/16	.228	.188	.080	.232	5/16	.208
R002-125	8-32	.119-.156	5/16	.228	.188	.125	.187	5/16	.208
R002-188	8-32	.188	5/16	.228	.188	.188	.124	5/16	.208
R003-050	10-24	.048-.072	3/8	.280	.228	.050	.325	3/8	.236
R003-080	10-24	.074-.109	3/8	.280	.228	.080	.295	3/8	.236
R003-125	10-24	.119-.156	3/8	.280	.228	.125	.250	3/8	.236
R003-188	10-24	.188	3/8	.280	.228	.188	.187	3/8	.236
R003-250	10-24	.250	3/8	.280	.228	.250	.125	3/8	.236
R004-050	10-32	.048-.072	3/8	.280	.228	.050	.325	3/8	.236
R004-080	10-32	.074-.109	3/8	.280	.228	.080	.295	3/8	.236
R004-125	10-32	.119-.156	3/8	.280	.228	.125	.250	3/8	.236
R004-188	10-32	.188	3/8	.280	.228	.188	.187	3/8	.236
R004-250	10-32	.250	3/8	.280	.228	.250	.125	3/8	.236
R005-050	1/4-20	.048-.072	1/2	.366	.295	.050	.387	7/16	.292
R005-080	1/4-20	.074-.109	1/2	.366	.295	.080	.357	7/16	.292
R005-125	1/4-20	.119-.156	1/2	.366	.295	.125	.312	7/16	.292
R005-188	1/4-20	.188	1/2	.366	.295	.188	.249	7/16	.292
R005-250	1/4-20	.250	1/2	.366	.295	.250	.187	7/16	.292
R006-050	1/4-28	.048-.072	1/2	.366	.295	.050	.387	7/16	.292
R006-080	1/4-28	.074-.109	1/2	.366	.295	.080	.357	7/16	.292
R006-125	1/4-28	.119-.156	1/2	.366	.295	.125	.312	7/16	.292
R006-188	1/4-28	.188	1/2	.366	.295	.188	.249	7/16	.292
R006-250	1/4-28	.250	1/2	.366	.295	.250	.187	7/16	.292
R007-050	5/16-18	.048-.072	5/8	.414	.347	.050	.450	1/2	.358
R007-080	5/16-18	.074-.109	5/8	.414	.347	.080	.420	1/2	.358
R007-125	5/16-18	.119-.156	5/8	.414	.347	.125	.375	1/2	.358
R007-188	5/16-18	.188	5/8	.414	.347	.188	.312	1/2	.358
R007-250	5/16-18	.250	5/8	.414	.347	.250	.250	1/2	.358
R008-080	3/8-16	.074-.109	3/4	.479	.406	.080	.482	9/16	.418
R008-125	3/8-16	.119-.156	3/4	.479	.406	.125	.437	9/16	.418
R008-188	3/8-16	.188	3/4	.479	.406	.188	.374	9/16	.418
R008-250	3/8-16	.250	3/4	.479	.406	.250	.312	9/16	.418



E29