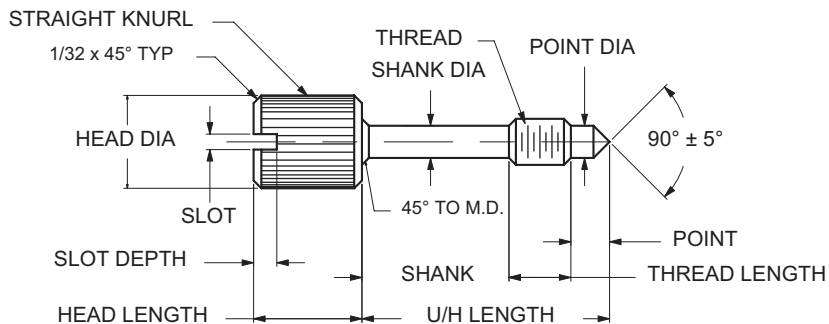




# CAPTIVE PANEL SCREW TYPE 2



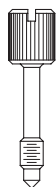
|               |          |            |        |
|---------------|----------|------------|--------|
| ORDERING CODE | XX       | XXXX       | XX     |
|               | MATERIAL | BASIC PART | FINISH |

| MATERIAL        | CODE |
|-----------------|------|
| BRASS           | BR   |
| STAINLESS STEEL | SS   |
| STEEL           | ST   |

| CODE | FINISH                           |
|------|----------------------------------|
| 00   | Plain — None                     |
| 01   | Passivate ASTM A967-05           |
| 61   | Nickel QQ-N-290 CL 1, Type VI KC |

Additional Finishes Available

| BASIC PART NO | THREAD | HEAD DIA<br>+0.010<br>-0.000 | HEAD LENGTH<br>±0.010 | UNDER HEAD LENGTH<br>±0.015 | THREAD LENGTH<br>+0.000<br>-0.015 | SHANK DIA<br>±0.005 | SHANK LENGTH<br>±0.010 | POINT DIA<br>+0.000<br>-0.010 | POINT LENGTH<br>±0.015 | SLOT WIDTH<br>+0.005<br>-0.000 | SLOT DEPTH<br>+0.010<br>-0.000 | KNURL<br>TPI |
|---------------|--------|------------------------------|-----------------------|-----------------------------|-----------------------------------|---------------------|------------------------|-------------------------------|------------------------|--------------------------------|--------------------------------|--------------|
| 3393          | 6-32   | 5/16                         | 5/16                  | 11/16                       | 7/32                              | .095                | 3/8                    | .095                          | 3/32                   | 3/64                           | 5/64                           | 35           |
| 3394          | 6-32   | 5/16                         | 5/16                  | 3/4                         | 7/32                              | .095                | 7/16                   | .095                          | 3/32                   | 3/64                           | 5/64                           | 35           |
| 3395          | 6-32   | 5/16                         | 5/16                  | 13/16                       | 7/32                              | .095                | 1/2                    | .095                          | 3/32                   | 3/64                           | 5/64                           | 35           |
| 3396          | 6-32   | 5/16                         | 5/16                  | 7/8                         | 7/32                              | .095                | 9/16                   | .095                          | 3/32                   | 3/64                           | 5/64                           | 35           |
| 3397          | 6-32   | 5/16                         | 5/16                  | 15/16                       | 7/32                              | .095                | 5/8                    | .095                          | 3/32                   | 3/64                           | 5/64                           | 35           |
| 3398          | 6-32   | 5/16                         | 5/16                  | 1"                          | 7/32                              | .095                | 11/16                  | .095                          | 3/32                   | 3/64                           | 5/64                           | 35           |
| 3399          | 6-32   | 5/16                         | 5/16                  | 1-1/16                      | 7/32                              | .095                | 3/4                    | .095                          | 3/32                   | 3/64                           | 5/64                           | 35           |
| 3400          | 6-32   | 5/16                         | 5/16                  | 1-1/8                       | 7/32                              | .095                | 13/16                  | .095                          | 3/32                   | 3/64                           | 5/64                           | 35           |
| 3401          | 6-32   | 5/16                         | 5/16                  | 1-3/16                      | 7/32                              | .095                | 7/8                    | .095                          | 3/32                   | 3/64                           | 5/64                           | 35           |
| 3402          | 6-32   | 5/16                         | 5/16                  | 1-1/4                       | 7/32                              | .095                | 15/16                  | .095                          | 3/32                   | 3/64                           | 5/64                           | 35           |
| 3403          | 8-32   | 5/16                         | 5/16                  | 7/16                        | 7/32                              | .120                | 1/8                    | .120                          | 3/32                   | 3/64                           | 5/64                           | 35           |
| 3404          | 8-32   | 5/16                         | 5/16                  | 1/2                         | 7/32                              | .120                | 3/16                   | .120                          | 3/32                   | 3/64                           | 5/64                           | 35           |
| 3405          | 8-32   | 5/16                         | 5/16                  | 9/16                        | 7/32                              | .120                | 1/4                    | .120                          | 3/32                   | 3/64                           | 5/64                           | 35           |
| 3406          | 8-32   | 5/16                         | 5/16                  | 5/8                         | 7/32                              | .120                | 5/16                   | .120                          | 3/32                   | 3/64                           | 5/64                           | 35           |
| 3407          | 8-32   | 5/16                         | 5/16                  | 11/16                       | 7/32                              | .120                | 3/8                    | .120                          | 3/32                   | 3/64                           | 5/64                           | 35           |
| 3408          | 8-32   | 5/16                         | 5/16                  | 3/4                         | 7/32                              | .120                | 7/16                   | .120                          | 3/32                   | 3/64                           | 5/64                           | 35           |
| 3409          | 8-32   | 5/16                         | 5/16                  | 13/16                       | 7/32                              | .120                | 1/2                    | .120                          | 3/32                   | 3/64                           | 5/64                           | 35           |
| 3410          | 8-32   | 5/16                         | 5/16                  | 7/8                         | 7/32                              | .120                | 9/16                   | .120                          | 3/32                   | 3/64                           | 5/64                           | 35           |
| 3411          | 8-32   | 5/16                         | 5/16                  | 15/16                       | 7/32                              | .120                | 5/8                    | .120                          | 3/32                   | 3/64                           | 5/64                           | 35           |
| 3412          | 8-32   | 5/16                         | 5/16                  | 1"                          | 7/32                              | .120                | 11/16                  | .120                          | 3/32                   | 3/64                           | 5/64                           | 35           |



E13