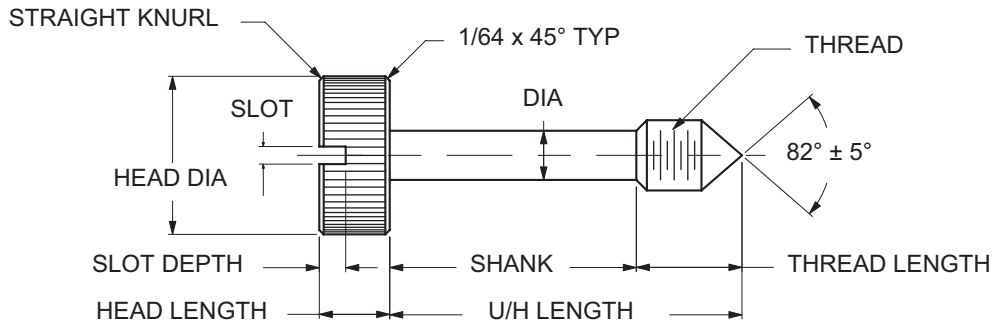




CAPTIVE PANEL SCREW TYPE 1



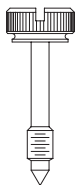
ORDERING CODE	XX MATERIAL	XXXX BASIC PART	XX FINISH
---------------	-------------	-----------------	-----------

MATERIAL	CODE
BRASS	BR
STAINLESS STEEL	SS
STEEL	ST

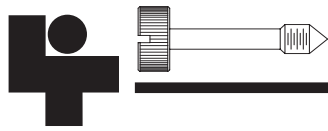
CODE	FINISH
00	Plain — None
01	Passivate ASTM A967-05
61	Nickel QQ-N-290 CL 1, Type VI KC

Additional Finishes Available

BASIC PART NUMBER	THREAD	HEAD DIA +0.010 -0.000	HEAD LENGTH ±0.010	UNDER HEAD LENGTH ±0.015	THREAD LENGTH ±0.015	SHANK DIA ±0.005	SHANK LENGTH ±0.010	SLOT WIDTH +0.005 -0.000	SLOT DEPTH +0.010 -0.000	KNURL TPI
3289	1/4-28	3/4	1/4	1-7/16	3/8	.175	1-1/16	1/16	1/8	30
3290	1/4-28	3/4	1/4	1-1/2	3/8	.175	1-1/8	1/16	1/8	30
3291	1/4-28	3/4	1/4	1-9/16	3/8	.175	1-3/16	1/16	1/8	30
3292	1/4-28	3/4	1/4	1-5/8	3/8	.175	1-1/4	1/16	1/8	30
3293	1/4-28	3/4	1/4	1-11/16	3/8	.175	1-5/16	1/16	1/8	30
3294	1/4-28	3/4	1/4	1-3/4	3/8	.175	1-3/8	1/16	1/8	30
3295	1/4-28	3/4	1/4	1-13/16	3/8	.175	1-7/16	1/16	1/8	30
3296	1/4-28	3/4	1/4	1-7/8	3/8	.175	1-1/2	1/16	1/8	30
3297	1/4-28	3/4	1/4	1-15/16	3/8	.175	1-9/16	1/16	1/8	30
3298	1/4-28	3/4	1/4	2"	3/8	.175	1-5/8	1/16	1/8	30
3299	5/16-18	9/16	1/4	1"	3/8	.235	5/8	1/16	3/32	30
3300	5/16-18	9/16	1/4	1-1/16	3/8	.235	11/16	1/16	3/32	30
3301	5/16-18	9/16	1/4	1-1/8	3/8	.235	3/4	1/16	3/32	30
3302	5/16-18	9/16	1/4	1-3/16	3/8	.235	13/16	1/16	3/32	30
3303	5/16-18	9/16	1/4	1-1/4	3/8	.235	7/8	1/16	3/32	30
3304	5/16-18	9/16	1/4	1-5/16	3/8	.235	15/16	1/16	3/32	30
3305	5/16-18	9/16	1/4	1-3/8	3/8	.235	1"	1/16	3/32	30
3306	5/16-18	9/16	1/4	1-7/16	3/8	.235	1-1/16	1/16	3/32	30
3307	5/16-18	9/16	1/4	1-1/2	3/8	.235	1-1/8	1/16	3/32	30
3308	5/16-18	9/16	1/4	1-9/16	3/8	.235	1-3/16	1/16	3/32	30
3309	5/16-18	9/16	1/4	1-5/8	3/8	.235	1-1/4	1/16	3/32	30
3310	5/16-18	9/16	1/4	1-11/16	3/8	.235	1-5/16	1/16	3/32	30
3311	5/16-18	9/16	1/4	1-3/4	3/8	.235	1-3/8	1/16	3/32	30
3312	5/16-18	9/16	1/4	1-13/16	3/8	.235	1-7/16	1/16	3/32	30
3313	5/16-18	9/16	1/4	1-7/8	3/8	.235	1-1/2	1/16	3/32	30
3314	5/16-18	9/16	1/4	1-15/16	3/8	.235	1-9/16	1/16	3/32	30
3315	5/16-18	9/16	1/4	2"	3/8	.235	1-5/8	1/16	3/32	30

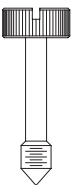


E9



CAPTIVE PANEL SCREW TYPE 1

BASIC PART NUMBER	THREAD	HEAD DIA +0.010 -0.000	HEAD LENGTH ±0.010	UNDER HEAD LENGTH ±0.015	THREAD LENGTH ±0.015	SHANK DIA ±0.005	SHANK LENGTH ±0.010	SLOT WIDTH +0.005 -0.000	SLOT DEPTH +0.010 -0.000	KNURL TPI
3316	5/16-18	3/4	1/4	1"	3/8	.235	5/8	1/16	1/8	30
3317	5/16-18	3/4	1/4	1-1/16	3/8	.235	11/16	1/16	1/8	30
3318	5/16-18	3/4	1/4	1-1/8	3/8	.235	3/4	1/16	1/8	30
3319	5/16-18	3/4	1/4	1-3/16	3/8	.235	13/16	1/16	1/8	30
3320	5/16-18	3/4	1/4	1-1/4	3/8	.235	7/8	1/16	1/8	30
3321	5/16-18	3/4	1/4	1-5/16	3/8	.235	15/16	1/16	1/8	30
3322	5/16-18	3/4	1/4	1-3/8	3/8	.235	1"	1/16	1/8	30
3323	5/16-18	3/4	1/4	1-7/16	3/8	.235	1-1/16	1/16	1/8	30
3324	5/16-18	3/4	1/4	1-1/2	3/8	.235	1-1/8	1/16	1/8	30
3325	5/16-18	3/4	1/4	1-9/16	3/8	.235	1-3/16	1/16	1/8	30
3326	5/16-18	3/4	1/4	1-5/8	3/8	.235	1-1/4	1/16	1/8	30
3327	5/16-18	3/4	1/4	1-11/16	3/8	.235	1-5/16	1/16	1/8	30
3328	5/16-18	3/4	1/4	1-3/4	3/8	.235	1-3/8	1/16	1/8	30
3329	5/16-18	3/4	1/4	1-13/16	3/8	.235	1-7/16	1/16	1/8	30
3330	5/16-18	3/4	1/4	1-7/8	3/8	.235	1-1/2	1/16	1/8	30
3331	5/16-18	3/4	1/4	1-15/16	3/8	.235	1-9/16	1/16	1/8	30
3332	5/16-18	3/4	1/4	2"	3/8	.235	1-5/8	1/16	1/8	30
3333	5/16-24	9/16	1/4	1"	3/8	.235	5/8	1/16	3/32	30
3334	5/16-24	9/16	1/4	1-1/16	3/8	.235	11/16	1/16	3/32	30
3335	5/16-24	9/16	1/4	1-1/8	3/8	.235	3/4	1/16	3/32	30
3336	5/16-24	9/16	1/4	1-3/16	3/8	.235	13/16	1/16	3/32	30
3337	5/16-24	9/16	1/4	1-1/4	3/8	.235	7/8	1/16	3/32	30
3338	5/16-24	9/16	1/4	1-5/16	3/8	.235	15/16	1/16	3/32	30
3339	5/16-24	9/16	1/4	1-3/8	3/8	.235	1"	1/16	3/32	30
3340	5/16-24	9/16	1/4	1-7/16	3/8	.235	1-1/16	1/16	3/32	30
3341	5/16-24	9/16	1/4	1-1/2	3/8	.235	1-1/8	1/16	3/32	30
3342	5/16-24	9/16	1/4	1-9/16	3/8	.235	1-3/16	1/16	3/32	30
3343	5/16-24	9/16	1/4	1-5/8	3/8	.235	1-1/4	1/16	3/32	30
3344	5/16-24	9/16	1/4	1-11/16	3/8	.235	1-5/16	1/16	3/32	30
3345	5/16-24	9/16	1/4	1-3/4	3/8	.235	1-3/8	1/16	3/32	30
3346	5/16-24	9/16	1/4	1-13/16	3/8	.235	1-7/16	1/16	3/32	30
3347	5/16-24	9/16	1/4	1-7/8	3/8	.235	1-1/2	1/16	3/32	30
3348	5/16-24	9/16	1/4	1-15/16	3/8	.235	1-9/16	1/16	3/32	30
3349	5/16-24	9/16	1/4	2"	3/8	.235	1-5/8	1/16	3/32	30



E10