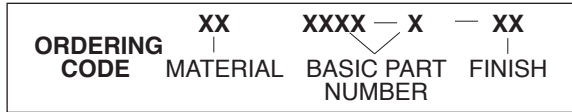
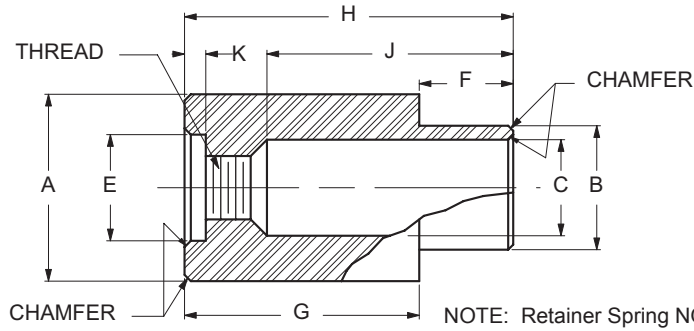


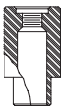
# METRIC PANEL SCREW RETAINER TYPE D



CODE	FINISH
00	Plain — None
01	Passivate ASTM A967-05
61	Nickel QQ-N-290 CL 1, Type VI KC

MATERIAL	CODE
BRASS	BR
STAINLESS STEEL	SS
STEEL	ST

BASIC PART NUMBER	THREAD	PANEL THICKNESS	A ±0.1	B ±0.05	C +0.1 -0.03	E +0.15 -0.0	F ±0.15	G ±0.15	H ±0.3	J ±0.15	K +0.3 -0.0
5922-1	M3X0.5	1.3-1.7	8	6.3	5.3	4.9	1.6	9.4	11	9.2	2
5922-2	M3X0.5	2.1-2.5	8	6.3	5.3	4.9	2.4	8.6	11	9.2	2
5922-3	M3X0.5	2.8-3.6	8	6.3	5.3	4.9	3.2	7.8	11	9.2	2
5922-4	M3X0.5	4.3-5.2	8	6.3	5.3	4.9	4.8	6.2	11	9.2	2
5922-5	M3X0.5	5.9-6.7	8	6.3	5.3	4.9	6.4	4.6	11	9.2	2
5923-1	M3.5X0.6	1.3-1.7	8	6.3	5.3	4.9	1.6	9.4	11	9.3	2
5923-2	M3.5X0.6	2.1-2.5	8	6.3	5.3	4.9	2.4	8.6	11	9.3	2
5923-3	M3.5X0.6	2.8-3.6	8	6.3	5.3	4.9	3.2	7.8	11	9.3	2
5923-4	M3.5X0.6	4.3-5.2	8	6.3	5.3	4.9	4.8	6.2	11	9.3	2
5923-5	M3.5X0.6	5.9-6.7	8	6.3	5.3	4.9	6.4	4.6	11	9.3	2
5924-1	M4X0.7	1.3-1.7	13	11	9.8	7.9	1.6	14.4	16	9.9	2.4
5924-2	M4X0.7	2.1-2.5	13	11	9.8	7.9	2.4	13.6	16	9.9	2.4
5924-3	M4X0.7	2.8-3.6	13	11	9.8	7.9	3.2	12.8	16	9.9	2.4
5924-4	M4X0.7	4.3-5.2	13	11	9.8	7.9	4.8	11.2	16	9.9	2.4
5924-5	M4X0.7	5.9-6.7	13	11	9.8	7.9	6.4	9.6	16	9.9	2.4
5925-1	M5X0.8	1.3-1.7	13	11	9.8	7.9	1.6	14.4	16	10	2.4
5925-2	M5X0.8	2.1-2.5	13	11	9.8	7.9	2.4	13.6	16	10	2.4
5925-3	M5X0.8	2.8-3.6	13	11	9.8	7.9	3.2	12.8	16	10	2.4
5925-4	M5X0.8	4.3-5.2	13	11	9.8	7.9	4.8	11.2	16	10	2.4
5925-5	M5X0.8	5.9-6.7	13	11	9.8	7.9	6.4	9.6	16	10	2.4
5926-1	M6X1	1.3-1.7	13	11	9.8	7.9	1.6	14.4	16	10.2	2.4
5926-2	M6X1	2.1-2.5	13	11	9.8	7.9	2.4	13.6	16	10.2	2.4
5926-3	M6X1	2.8-3.6	13	11	9.8	7.9	3.2	12.8	16	10.2	2.4
5926-4	M6X1	4.3-5.2	13	11	9.8	7.9	4.8	11.2	16	10.2	2.4
5926-5	M6X1	5.9-6.7	13	11	9.8	7.9	6.4	9.6	16	10.2	2.4



D15