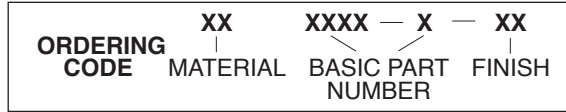
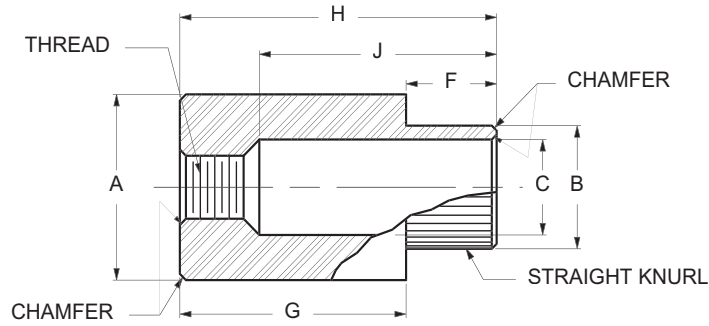


# METRIC PANEL SCREW RETAINER TYPE A



CODE	FINISH
00	Plain — None
01	Passivate ASTM A967-05
61	Nickel QQ-N-290 CL 1, Type VI KC

MATERIAL	CODE
BRASS	BR
STAINLESS STEEL	SS
STEEL	ST

BASIC PART NUMBER	THREAD	PANEL THICKNESS	A	B	C	F	G	H	J
			±0.1	±0.05	+0.1 -0.03	±0.15	±0.15	±0.3	±0.15
5907-1	M3X0.5	1.2-1.8	7	5	3.8	1.3	5.2	6.5	4.2
5907-2	M3X0.5	1.9-2.8	7	5	3.8	2	4.3	6.5	4.2
5907-3	M3X0.5	3-4	7	5	3.8	3.2	3.3	6.5	4.2
5908-1	M3.5X0.6	1.2-1.8	7	5	3.8	1.3	6.7	8	5.3
5908-2	M3.5X0.6	1.9-2.8	7	5	3.8	2	6	8	5.3
5908-3	M3.5X0.6	3-4	7	5	3.8	3.2	4.8	8	5.3
5908-4	M3.5X0.6	4.8	7	5	3.8	4.8	3.2	8	5.3
5909-1	M4X0.7	1.2-1.8	8	5.8	4.8	1.3	6.7	8	5.3
5909-2	M4X0.7	1.9-2.8	8	5.8	4.8	2	6	8	5.3
5909-3	M4X0.7	3-4	8	5.8	4.8	3.2	4.8	8	5.3
5909-4	M4X0.7	4.8	8	5.8	4.8	4.8	3.2	8	5.3
5910-1	M5X0.8	1.2-1.8	10	7.1	5.8	1.3	8.2	9.5	6
5910-2	M5X0.8	1.9-2.8	10	7.1	5.8	2	7.5	9.5	6
5910-3	M5X0.8	3-4	10	7.1	5.8	3.2	6.3	9.5	6
5910-4	M5X0.8	4.8	10	7.1	5.8	4.8	4.7	9.5	6
5910-5	M5X0.8	6.5	10	7.1	5.8	6.4	3.1	9.5	6
5911-1	M6X1	1.2-1.8	13	9.3	7.5	1.3	9.7	11	7.4
5911-2	M6X1	1.9-2.8	13	9.3	7.5	2	9	11	7.4
5911-3	M6X1	3-4	13	9.3	7.5	3.2	7.8	11	7.4
5911-4	M6X1	4.8	13	9.3	7.5	4.8	6.2	11	7.4
5911-5	M6X1	6.5	13	9.3	7.5	6.4	4.6	11	7.4

