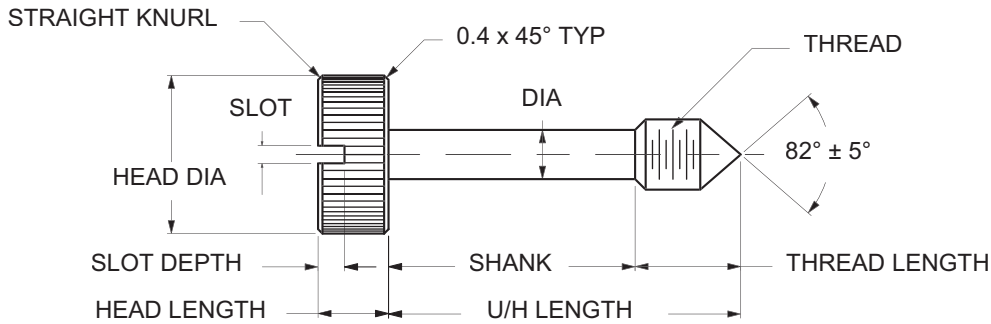




# METRIC CAPTIVE PANEL SCREW TYPE 1

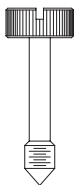


<b>ORDERING CODE</b>	<b>XX</b>	<b>XXXX</b>	<b>XX</b>
	MATERIAL	BASIC PART	FINISH
<b>CODE</b>	<b>FINISH</b>		
00	Plain — None		
01	Passivate ASTM A967-05		
61	Nickel QQ-N-290 CL 1, Type VI KC		

<b>MATERIAL</b>	<b>CODE</b>
BRASS	<b>BR</b>
STAINLESS STEEL	<b>SS</b>
STEEL	<b>ST</b>

Additional Finishes Available

BASIC PART NUMBER	THREAD	HEAD DIA ±0.4	HEAD LENGTH ±0.4	UNDER HEAD LENGTH ±0.4	THREAD LENGTH ±0.4	SHANK DIA ±0.2	SHANK LENGTH ±0.3	SLOT WIDTH +0.2 -0.0	SLOT DEPTH +0.3 -0.0
5600	M3X0.5	8	5	16.5	7	2	9.5	1	1.5
5601	M3X0.5	8	5	18	7	2	11	1	1.5
5602	M3X0.5	8	5	20	7	2	13	1	1.5
5603	M3X0.5	8	5	21.5	7	2	14.5	1	1.5
5604	M3X0.5	8	5	23	7	2	16	1	1.5
5605	M3.5X0.6	8	5	16.5	7	2.5	9.5	1.2	1.5
5606	M3.5X0.6	8	5	18	7	2.5	11	1.2	1.5
5607	M3.5X0.6	8	5	20	7	2.5	13	1.2	1.5
5608	M3.5X0.6	8	5	21.5	7	2.5	14.5	1.2	1.5
5609	M3.5X0.6	8	5	23	7	2.5	16	1.2	1.5
5610	M3.5X0.6	9.5	5	16.5	7	2.5	9.5	1.2	1.5
5611	M3.5X0.6	9.5	5	18	7	2.5	11	1.2	1.5
5612	M3.5X0.6	9.5	5	20	7	2.5	13	1.2	1.5
5613	M3.5X0.6	9.5	5	21.5	7	2.5	14.5	1.2	1.5
5614	M3.5X0.6	9.5	5	23	7	2.5	16	1.2	1.5
5615	M4X0.7	11	6.5	16	9.5	3	6.5	1.5	1.5
5616	M4X0.7	11	6.5	17.5	9.5	3	8	1.5	1.5
5617	M4X0.7	11	6.5	19	9.5	3	9.5	1.5	1.5
5618	M4X0.7	11	6.5	20.5	9.5	3	11	1.5	1.5
5619	M4X0.7	11	6.5	22	9.5	3	12.5	1.5	1.5
5620	M4X0.7	11	6.5	24	9.5	3	14.5	1.5	1.5
5621	M4X0.7	11	6.5	25.5	9.5	3	16	1.5	1.5
5622	M4X0.7	11	6.5	27	9.5	3	17.5	1.5	1.5
5623	M4X0.7	11	6.5	28.5	9.5	3	19	1.5	1.5
5624	M4X0.7	11	6.5	30.5	9.5	3	21	1.5	1.5
5625	M4X0.7	11	6.5	32	9.5	3	22.5	1.5	1.5

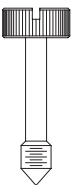


**D3**



# METRIC CAPTIVE PANEL SCREW TYPE 1

BASIC PART NUMBER	THREAD	HEAD DIA ±0.4	HEAD LENGTH ±0.4	UNDER HEAD LENGTH ±0.4	THREAD LENGTH ±0.4	SHANK DIA ±0.2	SHANK LENGTH ±0.3	SLOT WIDTH +0.2 -0.0	SLOT DEPTH +0.3 -0.0
5626	M5X0.8	11	6.5	16	9.5	3.5	6.5	1.5	1.5
5627	M5X0.8	11	6.5	17.5	9.5	3.5	8	1.5	1.5
5628	M5X0.8	11	6.5	19	9.5	3.5	9.5	1.5	1.5
5629	M5X0.8	11	6.5	20.5	9.5	3.5	11	1.5	1.5
5630	M5X0.8	11	6.5	22	9.5	3.5	12.5	1.5	1.5
5631	M5X0.8	11	6.5	24	9.5	3.5	14.5	1.5	1.5
5632	M5X0.8	11	6.5	25.5	9.5	3.5	16	1.5	1.5
5633	M5X0.8	11	6.5	27	9.5	3.5	17.5	1.5	1.5
5634	M5X0.8	11	6.5	28.5	9.5	3.5	19	1.5	1.5
5635	M5X0.8	11	6.5	30.5	9.5	3.5	21	1.5	1.5
5636	M5X0.8	11	6.5	32	9.5	3.5	22.5	1.5	1.5
5637	M5X0.8	11	6.5	33.5	9.5	3.5	24	1.5	1.5
5638	M5X0.8	11	6.5	35	9.5	3.5	25.5	1.5	1.5
5639	M5X0.8	11	6.5	36.5	9.5	3.5	27	1.5	1.5
5640	M5X0.8	11	6.5	38	9.5	3.5	28.5	1.5	1.5
5641	M6X1	14.5	6.5	16	9.5	4.5	6.5	1.5	2.5
5642	M6X1	14.5	6.5	17.5	9.5	4.5	8	1.5	2.5
5643	M6X1	14.5	6.5	19	9.5	4.5	9.5	1.5	2.5
5644	M6X1	14.5	6.5	20.5	9.5	4.5	11	1.5	2.5
5645	M6X1	14.5	6.5	22	9.5	4.5	12.5	1.5	2.5
5646	M6X1	14.5	6.5	24	9.5	4.5	14.5	1.5	2.5
5647	M6X1	14.5	6.5	25.5	9.5	4.5	16	1.5	2.5
5648	M6X1	14.5	6.5	27	9.5	4.5	17.5	1.5	2.5
5649	M6X1	14.5	6.5	28.5	9.5	4.5	19	1.5	2.5
5650	M6X1	14.5	6.5	30.5	9.5	4.5	21	1.5	2.5
5651	M6X1	14.5	6.5	32	9.5	4.5	22.5	1.5	2.5
5652	M6X1	14.5	6.5	33.5	9.5	4.5	24	1.5	2.5
5653	M6X1	14.5	6.5	35	9.5	4.5	25.5	1.5	2.5
5654	M6X1	14.5	6.5	36.5	9.5	4.5	27	1.5	2.5
5655	M6X1	14.5	6.5	38	9.5	4.5	28.5	1.5	2.5
5656	M6X1	14.5	6.5	39.5	9.5	4.5	30	1.5	2.5
5657	M6X1	14.5	6.5	41.5	9.5	4.5	32	1.5	2.5
5658	M6X1	14.5	6.5	43	9.5	4.5	33.5	1.5	2.5
5659	M6X1	14.5	6.5	44.5	9.5	4.5	35	1.5	2.5
5660	M6X1	14.5	6.5	46	9.5	4.5	36	1.5	2.5
5661	M6X1	14.5	6.5	47.5	9.5	4.5	38	1.5	2.5
5662	M6X1	14.5	6.5	49	9.5	4.5	39.5	1.5	2.5
5663	M6X1	14.5	6.5	51	9.5	4.5	41.5	1.5	2.5



**D4**