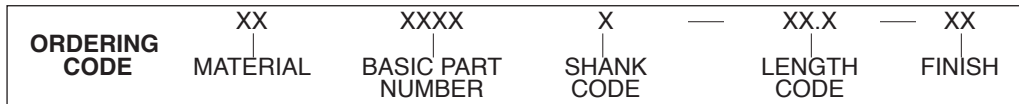
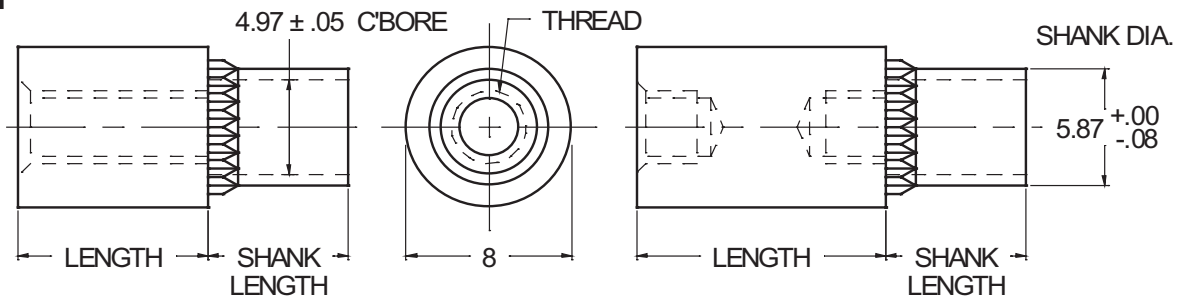




# SUPER TORQ 8mm ROUND SWAGE STANDOFFS



MATERIAL	CODE
BRASS	<b>BR</b>
STEEL	<b>ST</b>

THREAD SIZE	BASIC PART NO.
M3.5 x 0.6	<b>5117SP</b>
M4.0 x 0.7	<b>5118SP</b>
M5.0 x 0.8	<b>5119SP</b>

PANEL THICKNESS	SHANK LENGTH ± .08	CODE
.8	1.9	<b>A</b>
1.6	2.7	<b>B</b>
2.4	3.4	<b>C</b>
3.2	4.2	<b>D</b>

LENGTH mm	CODE	LENGTH mm	CODE
3	<b>03.0</b>	27	<b>27.0</b>
4	<b>04.0</b>	29	<b>29.0</b>
5	<b>05.0</b>	30	<b>30.0</b>
6	<b>06.0</b>	32	<b>32.0</b>
8	<b>08.0</b>	33	<b>33.0</b>
10	<b>10.0</b>	35	<b>35.0</b>
11	<b>11.0</b>	37	<b>37.0</b>
12	<b>12.0</b>	38	<b>38.0</b>
13	<b>13.0</b>	40	<b>40.0</b>
14	<b>14.0</b>	41	<b>41.0</b>
16	<b>16.0</b>	44	<b>44.0</b>
19	<b>19.0</b>	45	<b>45.0</b>
20	<b>20.0</b>	48	<b>48.0</b>
22	<b>22.0</b>	51	<b>51.0</b>
25	<b>25.0</b>		

NOTE: For lengths not listed, contact Lyn-Tron, Inc.

NOTE: See Page C4 for mounting hole sizes and installation tool part numbers.

CODE	FINISH	CODE	FINISH
<b>00</b>	Plain — None	<b>33</b>	Black Zinc
<b>01</b>	Passivate ASTM A967-05	<b>34*</b>	Zinc QQ-Z-325, Type II, CL 3 — Clear Chromate
<b>02</b>	Caustic Etch	<b>35</b>	Zinc QQ-Z-325, Type I, CL 3
<b>03</b>	Bright Dip — Brass	<b>36</b>	Zinc QQ-Z-325, Type II, CL 3 — Yellow Chromate
<b>11</b>	Anodize MIL-A-8625C, Type I Chromic Hot Water Seal — Dark Grey	<b>42</b>	Electro Tin MIL-T-10727, Type I (Dull)
<b>12</b>	Anodize MIL-A-8625C, Type II Sulphuric Hot Water Seal — Clear	<b>43</b>	Electro Tin MIL-T-10727 C, Type I (Bright)
<b>13</b>	Anodize MIL-A-8625C, Type II Sulphuric Dichromate Seal — Yellow Green	<b>44</b>	Electro Tin (Solder) MIL-F-14072 M230/M222
<b>14</b>	Anodize MIL-A-8625C — Black	<b>48</b>	Copper / Nickel / Bright Tin
<b>21</b>	Iridite MIL-C-5541 — Clear	<b>50</b>	Black Oxide MIL-C-13924 — Steel
<b>22*</b>	Iridite MIL-C-5541 — Gold #14	<b>51</b>	Black Oxide MIL-F-495 — Brass
<b>31</b>	Cadmium QQ-P-416, CL 2 — Clear Chromate	<b>52</b>	Black Oxide MIL-C-13924 — Stainless Steel
<b>32</b>	Cadmium QQ-P-416, CL 2 — Color Chromate	<b>63</b>	Ductile Nickel
		<b>66</b>	Electroless Nickel
		<b>91</b>	Silver QQ-S-365

\*Standard finishes: Zinc (Clear Chromate) on brass material, Iridite (Gold #14) on aluminum material.

